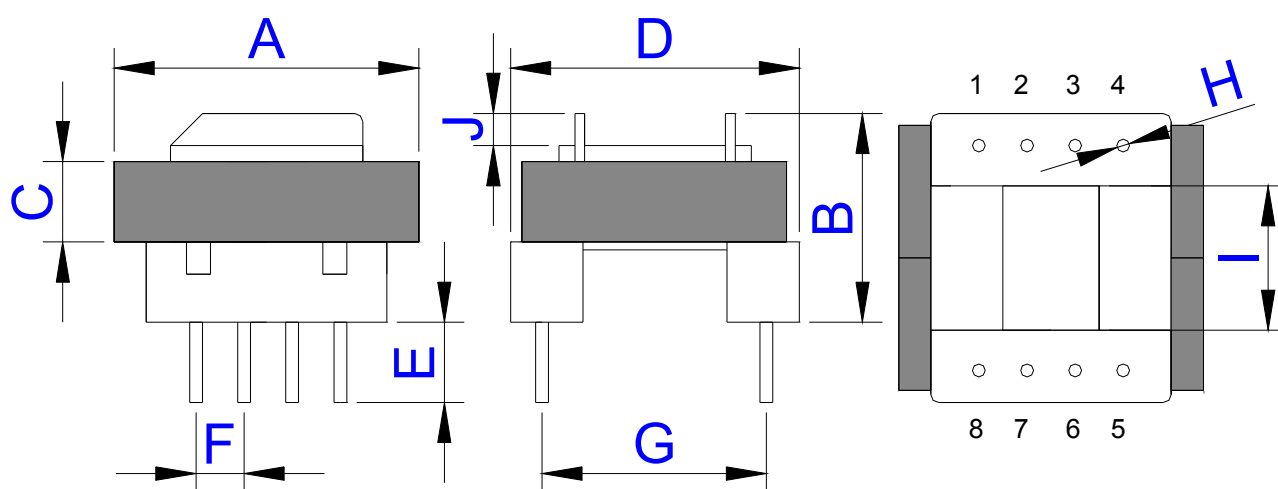


E 19H - 8 pinos



TOLERÂNCIA: +/- 0,5mm.

ÁREA ÚTIL DA JANELA: 12,1mm²

CARRETEL	A	B	C	D	E	F	G	H	I	J
E 19H - 8 pinos	19,0	13,0	5,0	18,0	5,0	3,0	14,0	0,8	8,8	2,3