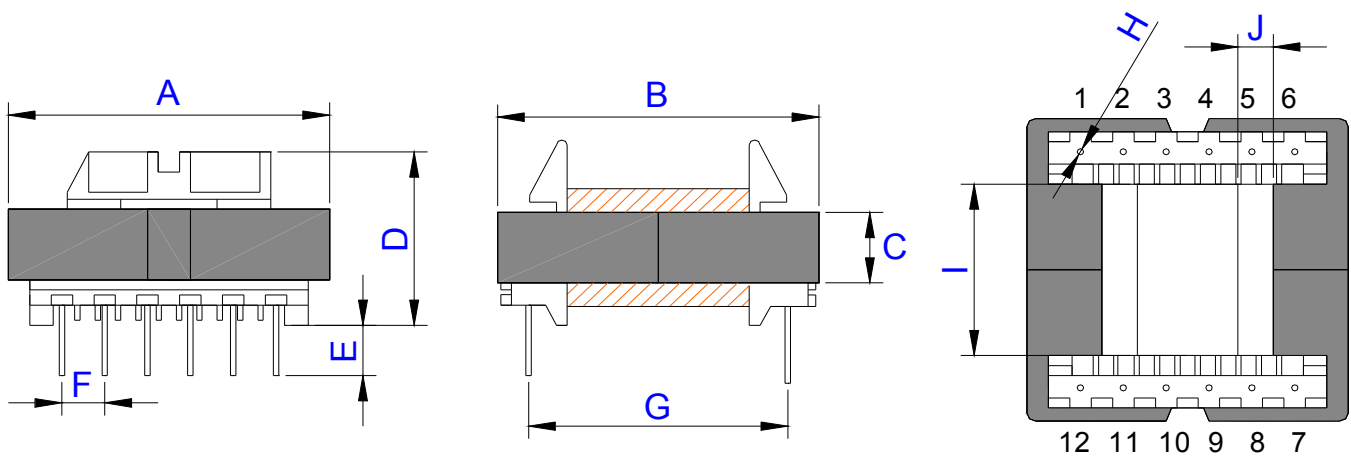


E 30/7 – 12 pinos



TOLERÂNCIA: +/- 0,5mm.

ÁREA ÚTIL DA JANELA: 31,3mm²

CARRETEL	A	B	C	D	E	F	G	H	I	J
E 30/7 - 10 pinos	30,4	30,0	7,0	16,0	5,0	4,0	24,0	0,6	17,4	3,0