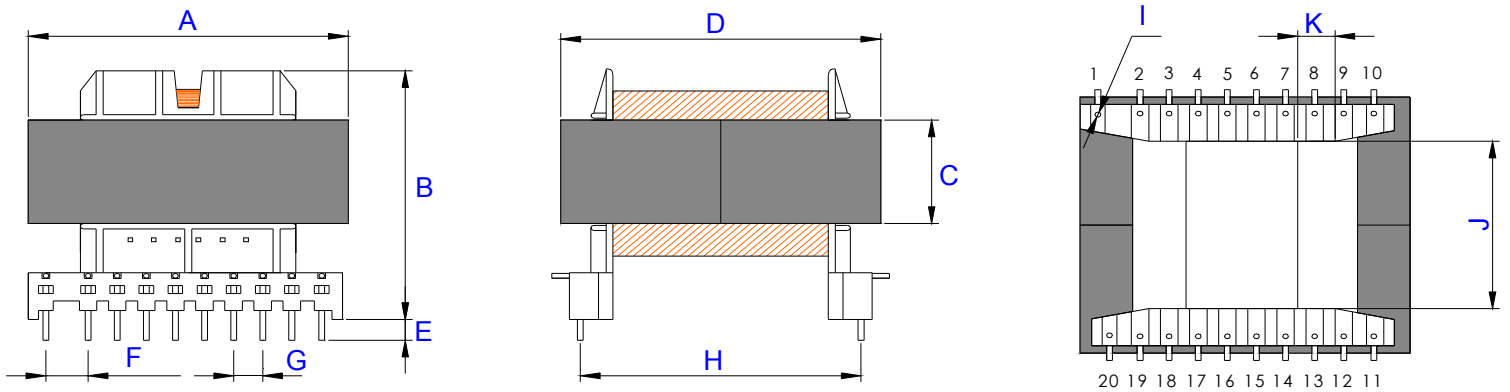




E 55 - 20 pinos



TOLERÂNCIA: +/- 0,5mm.

ÁREA ÚTIL DA JANELA: 183,7mm²

| CARRETEL | A | B | C | D | E | F | G | H | I | J | K |
|----------------|------|------|------|------|-----|-----|-----|------|-----|------|-----|
| E 55 - 20pinos | 55,0 | 50,4 | 21,0 | 55,0 | 4,0 | 7,5 | 5,0 | 46,0 | 1,0 | 34,4 | 8,9 |