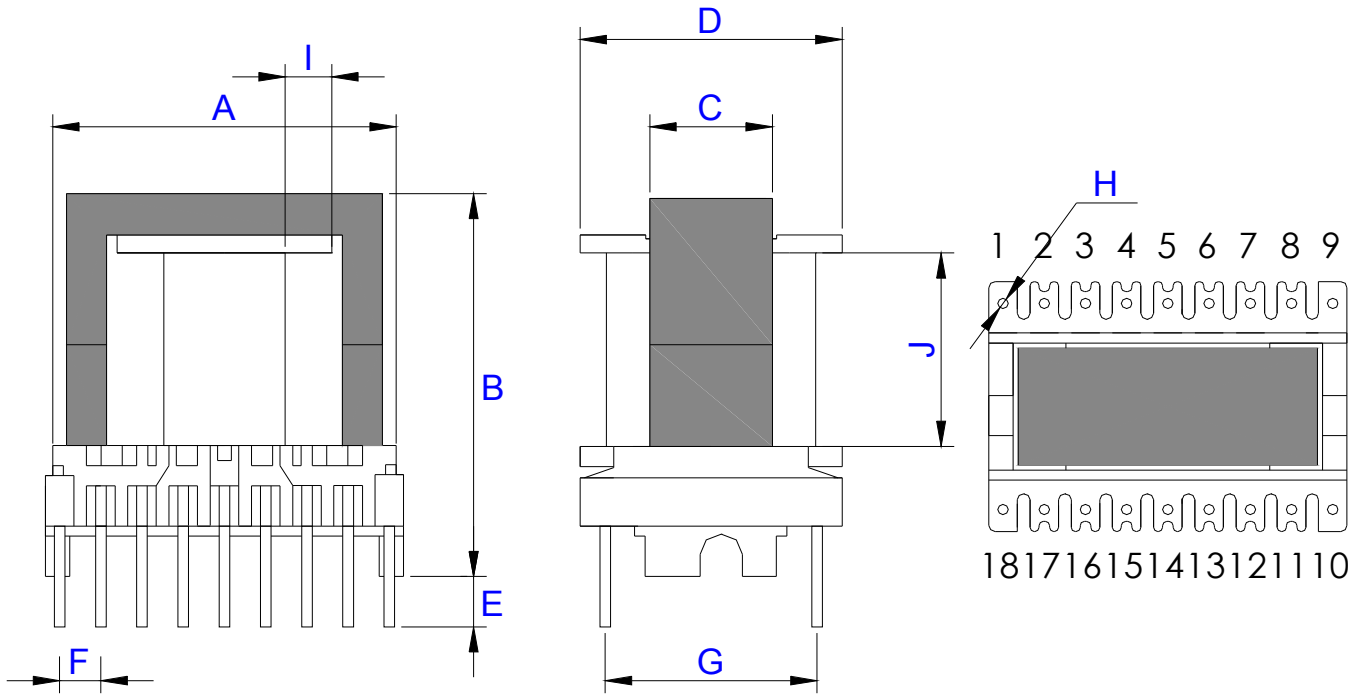


EEH 29 - 18 pinos



TOLERÂNCIA: +/- 0,5mm.

ÁREA ÚTIL DA JANELA: 50,6mm²

CARRETEL	A	B	C	D	E	F	G	H	I	J
EEH 29 - 18 pinos	35,0	37,5	12,0	24,7	4,0	4,0	20,0	1,0	4,4	19,2