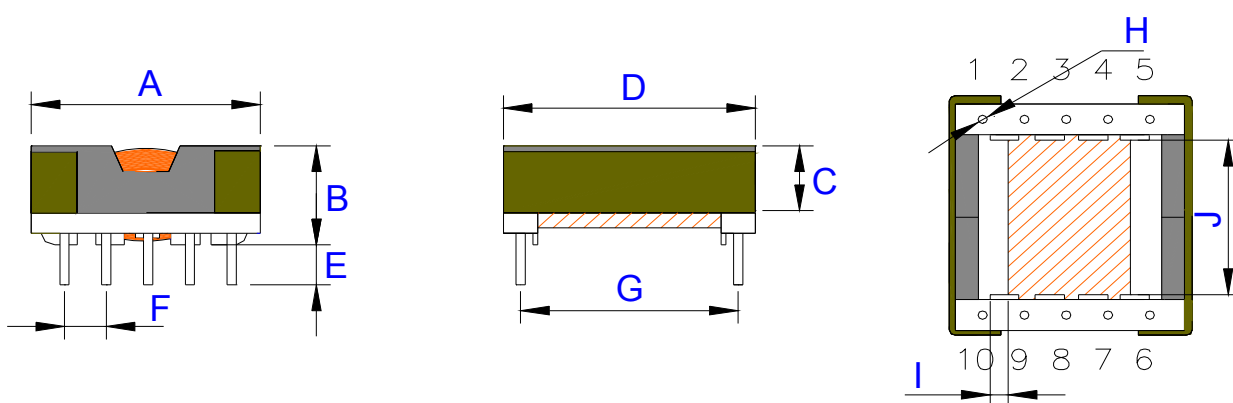




EFD 25 - 10 pinos



*TOLERÂNCIA: +/- 0,5mm.*

*ÁREA ÚTIL DA JANELA: 24,4mm<sup>2</sup>*

CARRETEL	A	B	C	D	E	F	G	H	I	J
EFD25 - 10pinos	25,0	12,5	9,0	26,0	5,0	5,0	22,2	0,9	2,5	16,3