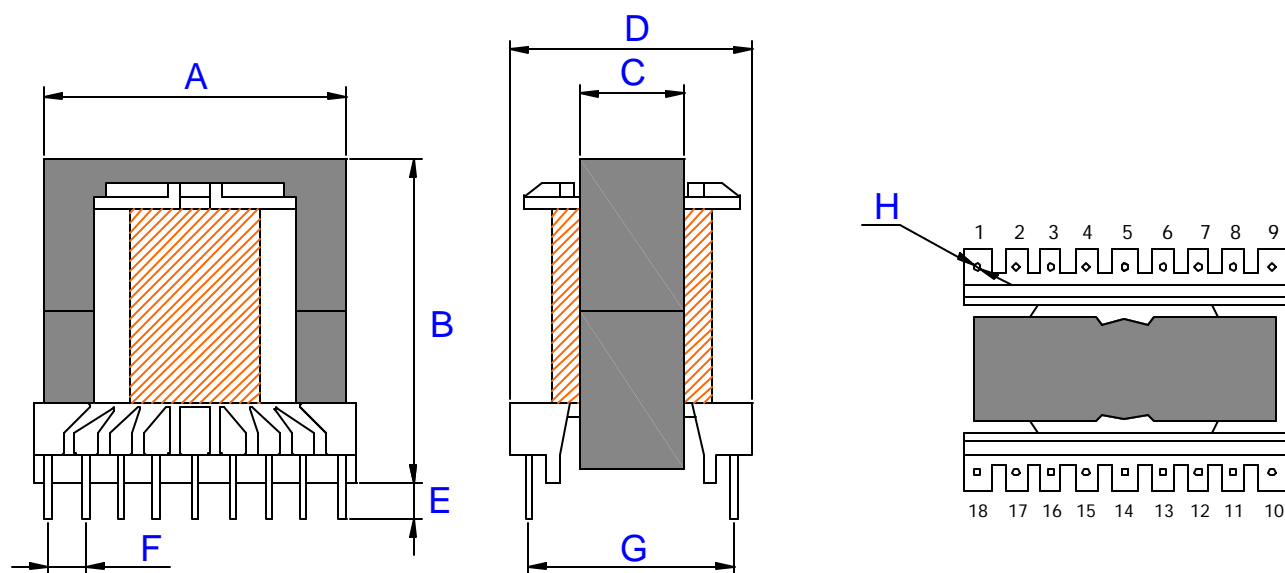




**ER 42 - 18 pinos**



*TOLERÂNCIA: +/- 0,5mm.*

*AL: 4000nH +30 / -20%*

*ÁREA ÚTIL DA JANELA: 97,9mm<sup>2</sup>*

CARRETEL	A	B	C	D	E	F	G	H
ER 42 - 18 pinos	45,2	45,3	15,0	32,0	5,0	5,0	27,5	1,0