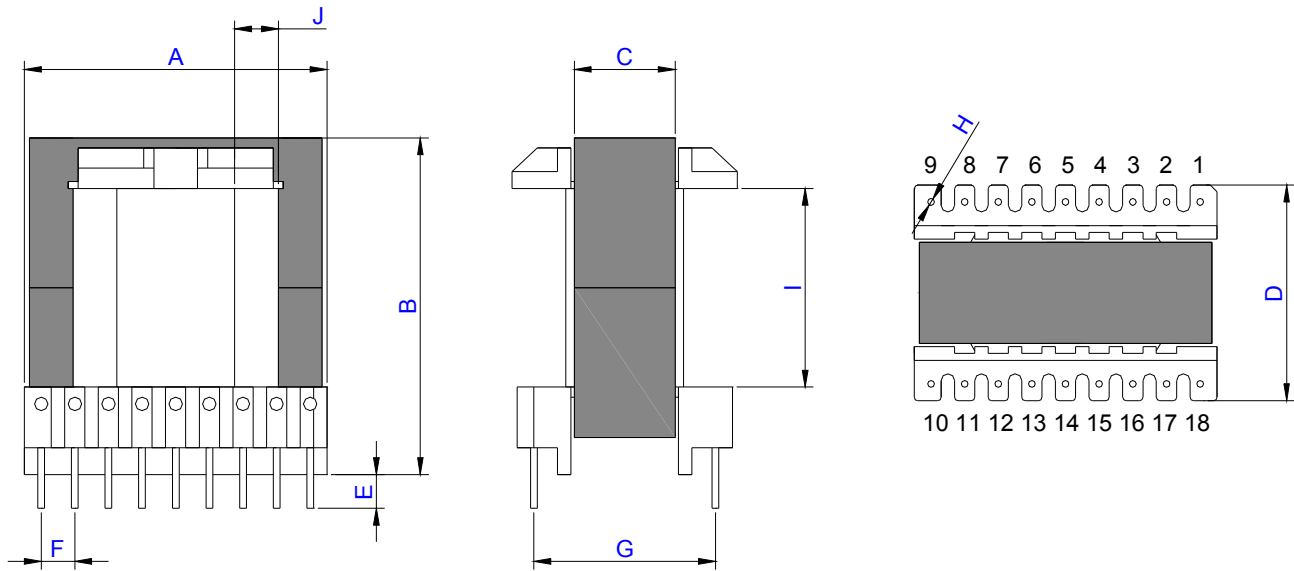


ETD44V - 18 pinos



*TOLERÂNCIA: +/- 0,5mm.*

*ÁREA ÚTIL DA JANELA: 131mm<sup>2</sup>*

CARRETEL	A	B	C	D	E	F	G	H	I	J
ETD44V - 18 pinos	45,0	50,5	15,0	32,0	5,0	5,0	27,5	1,0	29,5	7,4