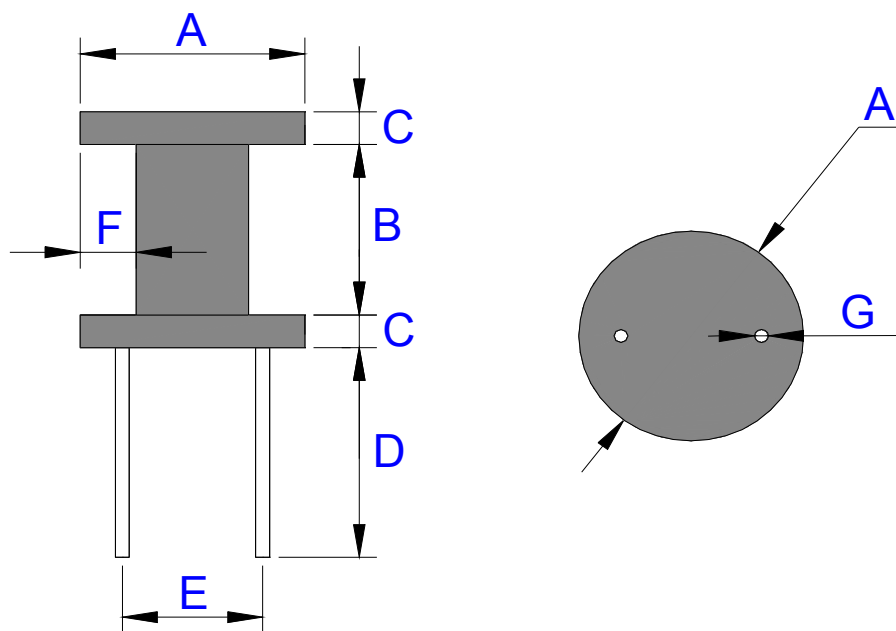


CARRETÉIS DE FERRITE



*TOLERÂNCIA: +/- 0,5mm.*

CARRETEL	A	B	C	D	E	F	G	Área Útil da Janela
4 x 6	4,0	3,0	1,5	16,0	2,0	1,0	0,5	1,8mm <sup>2</sup>
6 x 8	6,0	4,0	2,0	16,0	3,0	1,5	0,6	3,6mm <sup>2</sup>
8 x 10	8,0	6,0	2,0	16,0	5,3	2	0,7	7,2mm <sup>2</sup>
10 x 12	10,0	7,0	2,5	16,0	5,8	2,5	0,8	10,5mm <sup>2</sup>
13 x 15	13,0	10	2,5	16,0	7,6	3,0	1,0	18mm <sup>2</sup>
16 x 18	16,0	13,0	2,5	16,0	10	4,0	1,2	31,2mm <sup>2</sup>