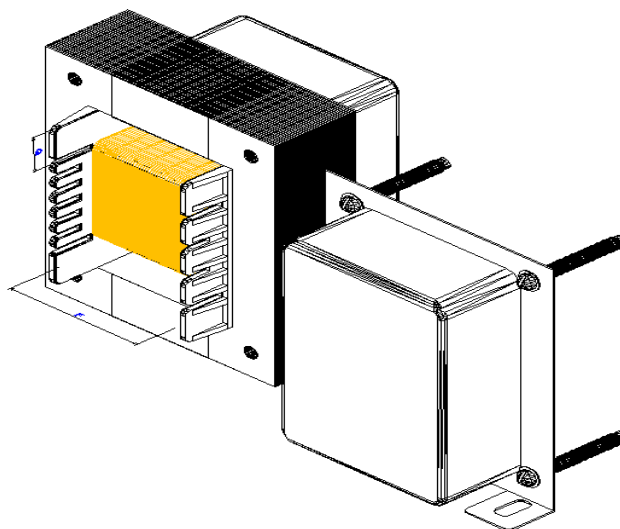
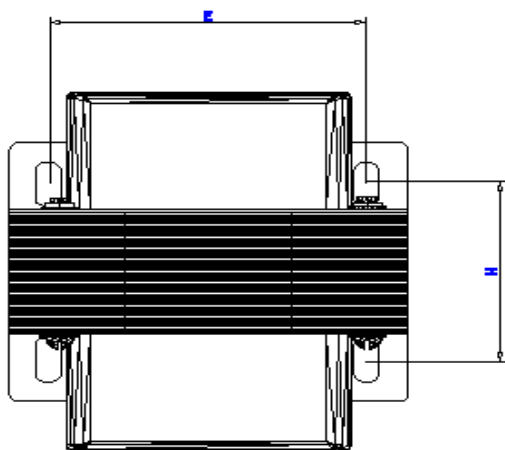
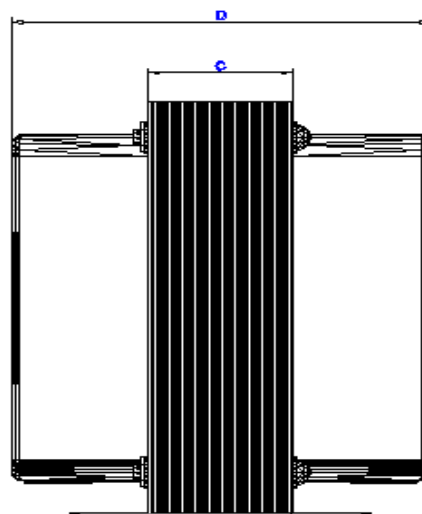
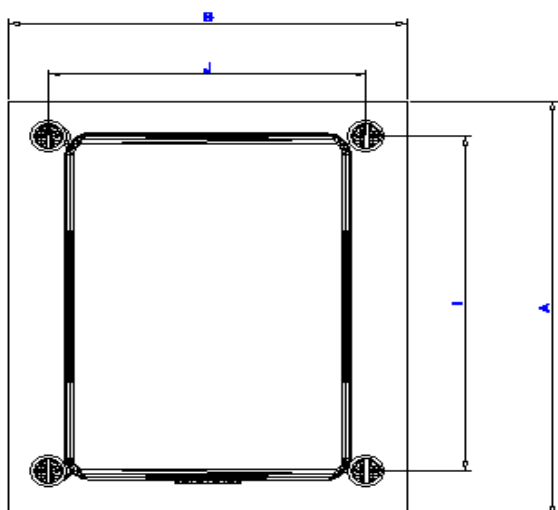




EI 96 ST CAN



ÁREA ÚTIL DA JANELA: 340,6 mm²

TOLERÂNCIA: +/- 1,0 mm

CARRETEL	A	B	C	D	E	F	G	H
33,0 x 33,1 ST CAN	97,5	80,5	61,8	70,5	55,0	43,0	13,2	65,0

CARRETEL	A	B	C	D	E	F
32,0 x 70,0 ST CAN	97,5	80,5	99,5	92,5	65,0	108,0