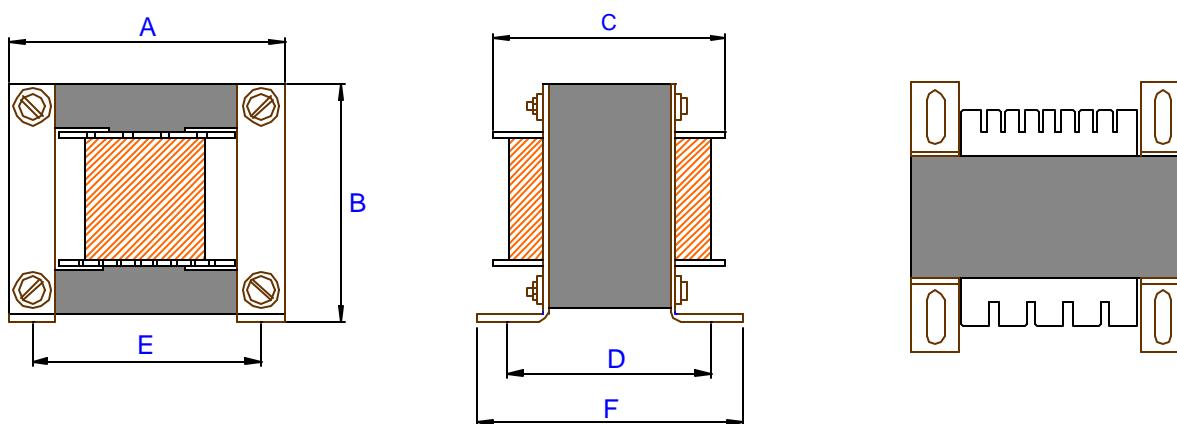




EI 96 ST PA



TOLERÂNCIA: +/- 1,0mm.

ÁREA ÚTIL DA JANELA: 317,7mm²

CARRETEL	A	B	C	D	E	F
32,0 x 32,0 ST PA	96,5	81,0	61,5	49,5	80,0	66,6

CARRETEL	A	B	C	D	E	F
32,0 x 70,0 ST PA	96,5	81,0	99,5	86,0	80,0	103,5